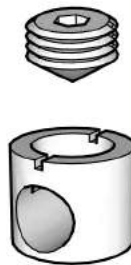


L45 D10

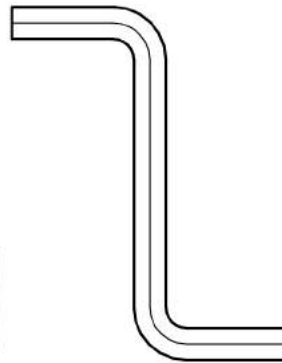
x12



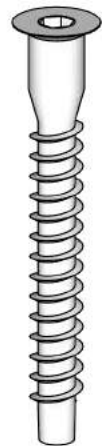
x4



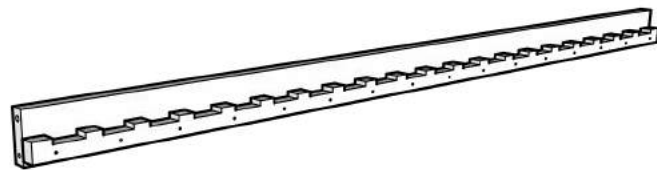
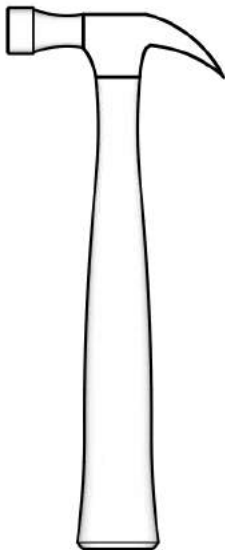
x4



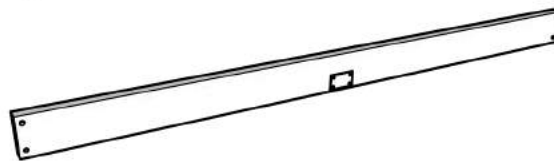
x1



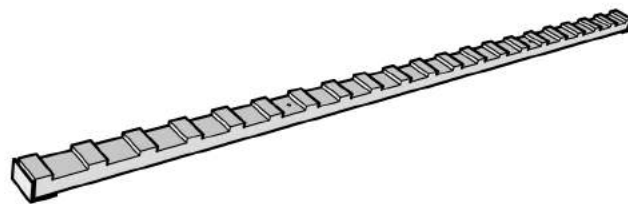
x8



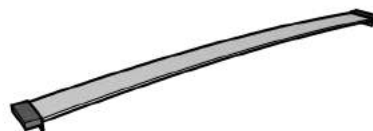
x2



x2



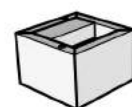
x1



x40

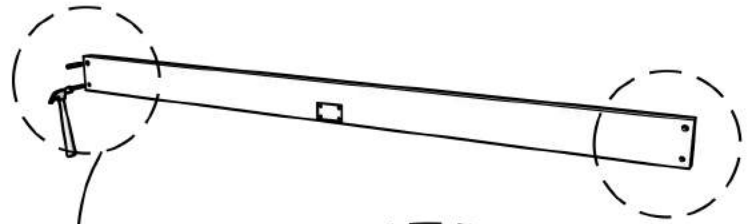
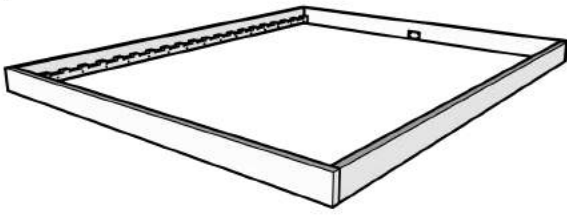


x2

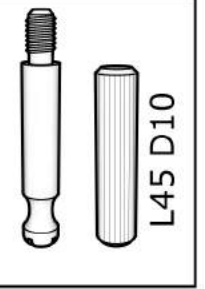
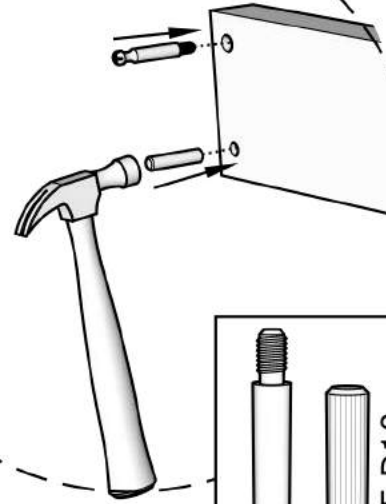


x4

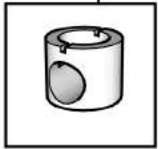
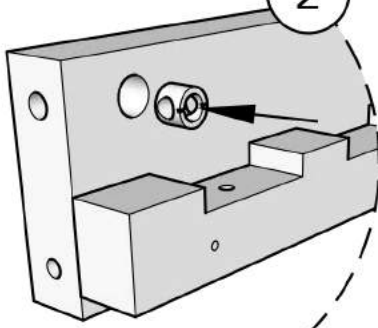
1



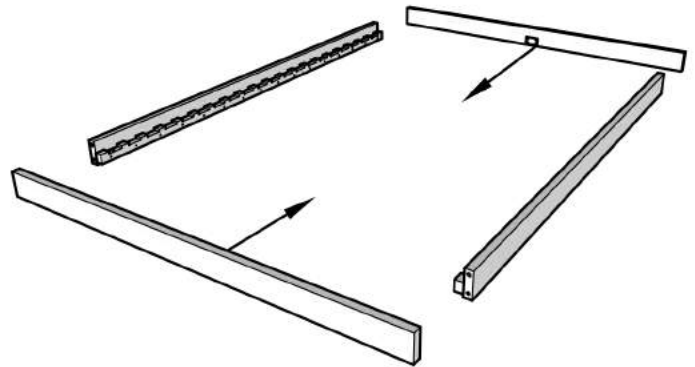
1



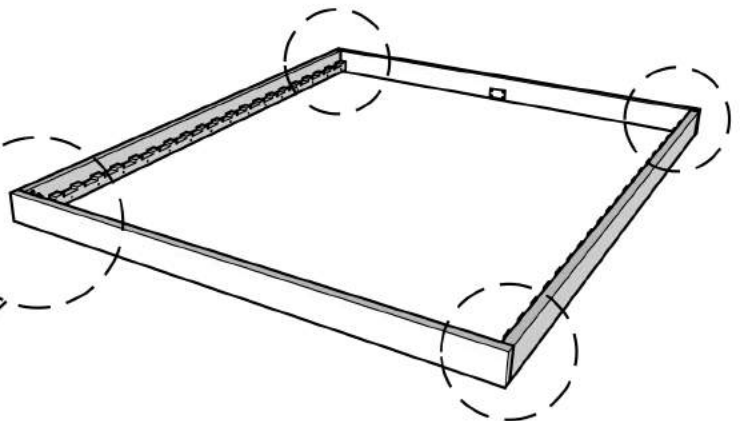
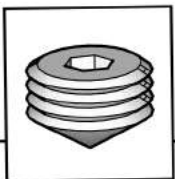
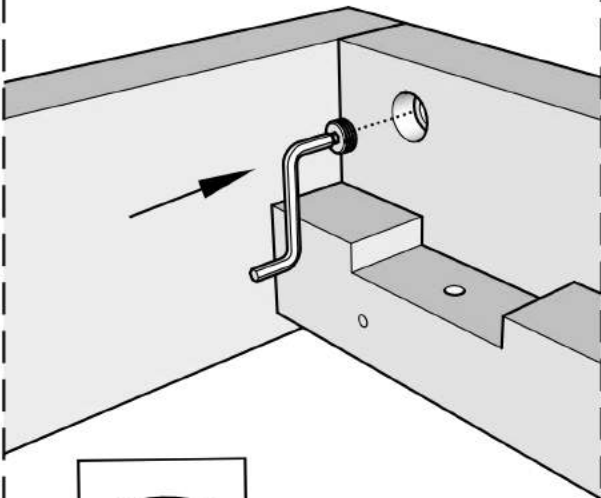
2



3



4



2

